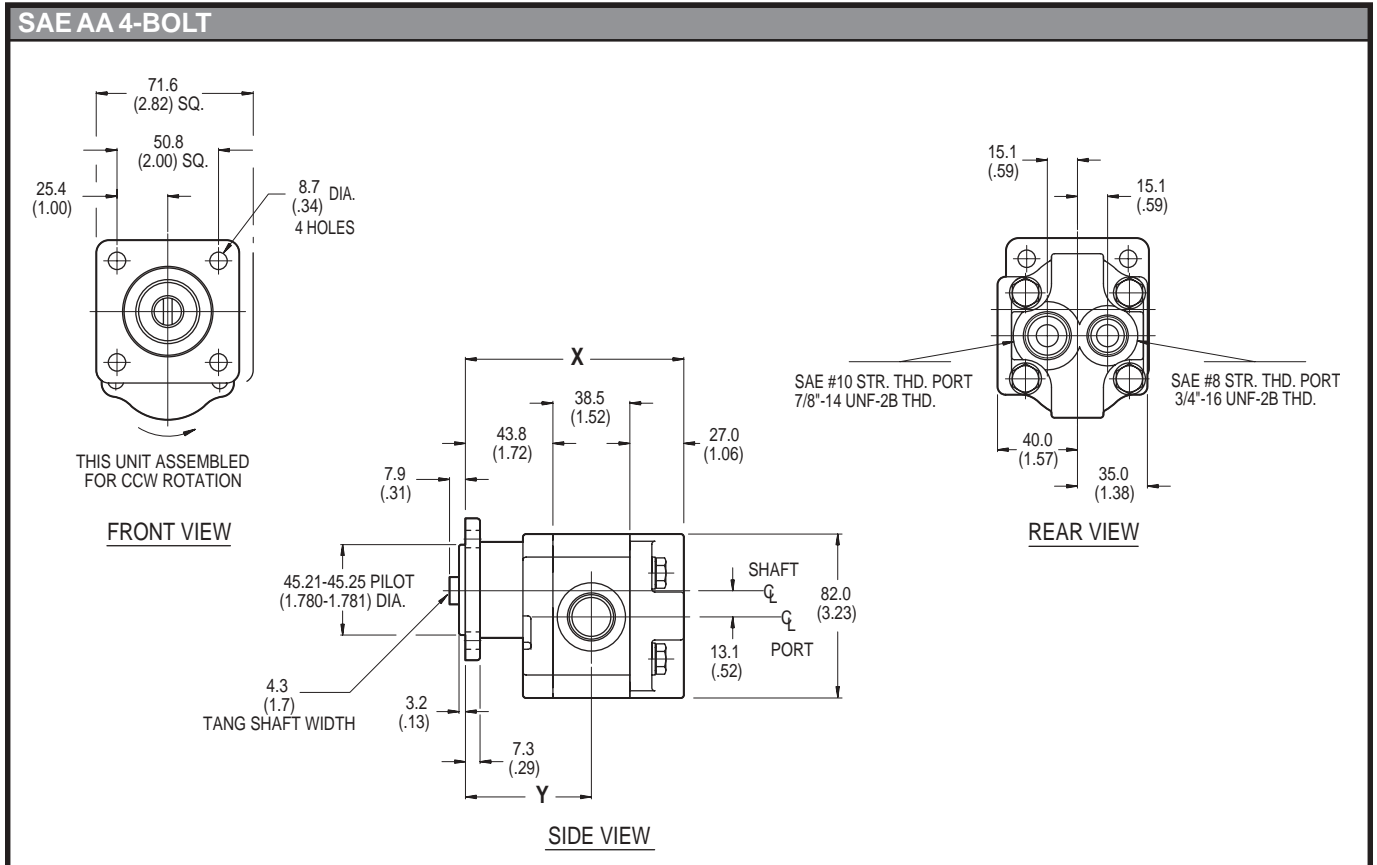


# Monarch Hydraulics, Inc.

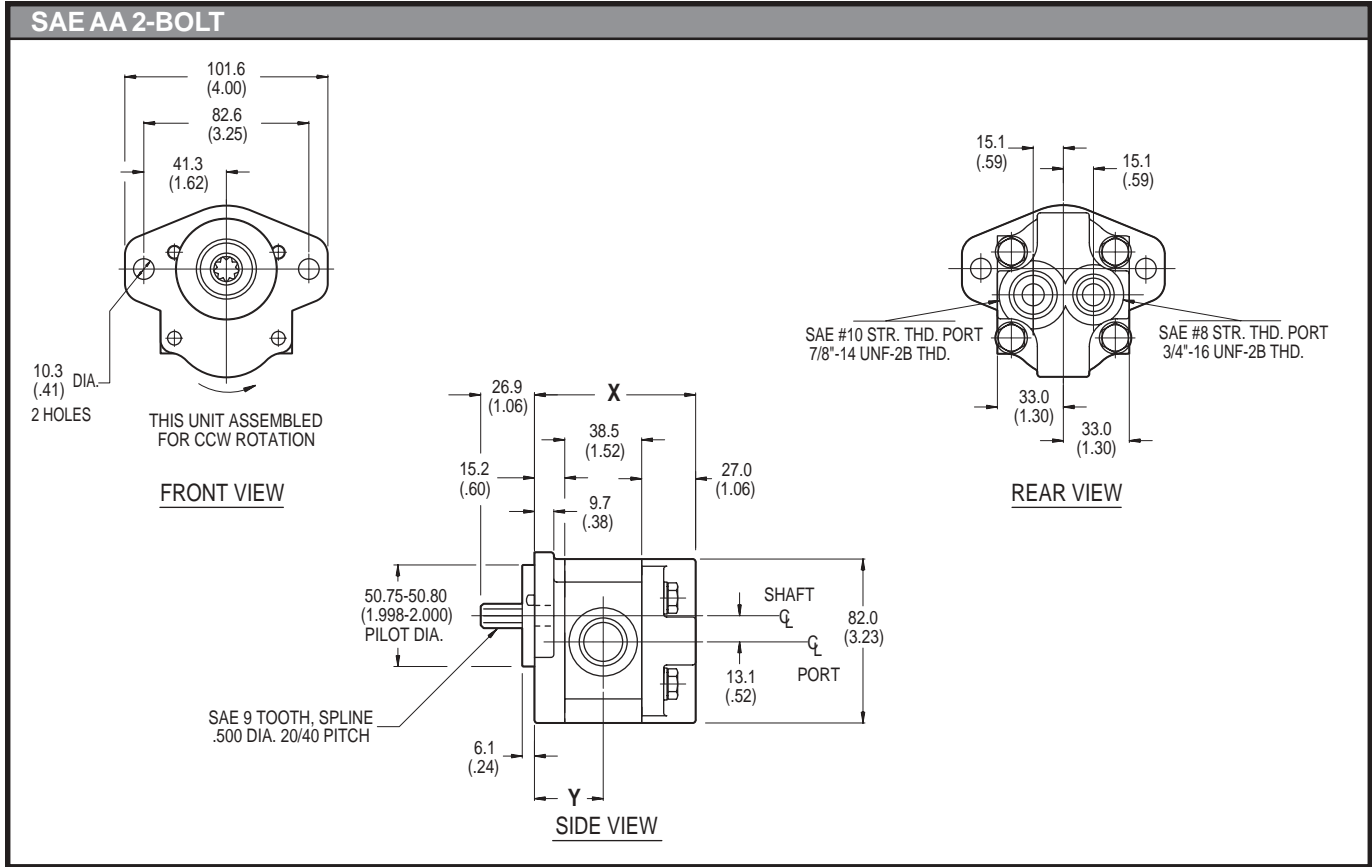
## Mounting Flange for SAE AA 4-Bolt M-9000 Series Pump



M-9000 Series Performance Table								
4 Bolt Part No.	Displacement		Nominal Flow				X Max. mm (in.)	Y Port mm (in.)
	cc/rev	in3/rev	1800 rpm		3600 rpm			
12723-020	2.0	0.122	0.95 gpm	3.6 lpm	1.90 gpm	7.2 lpm	109.3 (4.30)	63.0 (2.48)
12723-030	3.0	0.183	1.42 gpm	5.4 lpm	2.85 gpm	10.8 lpm	111.9 (4.41)	64.3 (2.53)
12723-040	4.0	0.244	1.90 gpm	7.2 lpm	3.80 gpm	14.4 lpm	114.6 (4.51)	65.7 (2.59)
12723-050	5.0	0.305	2.38 gpm	9.0 lpm	4.76 gpm	18.0 lpm	117.3 (4.62)	67.0 (2.64)
12723-060	6.0	0.366	2.85 gpm	10.8 lpm	5.71 gpm	21.6 lpm	119.0 (4.72)	68.3 (2.69)

- Optional drive shafts, check valves, relief valves, and release valves are available. Consult factory.
- For optimum performance at all pump speeds, side ports are recommended. Consult factory.

# Mounting Flange for SAE AA 2-Bolt M-9000 Series Pump



**M-9000 Series Performance Table**

2 Bolt Part No.	Displacement		Nominal Flow				X Max. mm (in.)	Y Port mm (in.)
	cc/rev	in3/rev	1800 rpm		3600 rpm			
12724-020	2.0	0.122	0.95 gpm	3.6 lpm	1.90 gpm	7.2 lpm	80.7 (3.18)	34.4 (1.35)
12724-030	3.0	0.183	1.42 gpm	5.4 lpm	2.85 gpm	10.8 lpm	83.3 (3.28)	35.7 (1.41)
12724-040	4.0	0.244	1.90 gpm	7.2 lpm	3.80 gpm	14.4 lpm	86.0 (3.38)	37.1 (1.46)
12724-050	5.0	0.305	2.38 gpm	9.0 lpm	4.76 gpm	18.0 lpm	88.7 (3.49)	38.4 (1.51)
12724-060	6.0	0.366	2.85 gpm	10.8 lpm	5.71 gpm	21.6 lpm	91.3 (3.59)	39.7 (1.56)

- Optional drive shafts, check valves, relief valves, and release valves are available. Consult factory.
- For optimum performance at all pump speeds, side ports are recommended. Consult factory.



U.S.A.:  
**MONARCH HYDRAULICS, INC.**  
 P.O. Box 1764, Grand Rapids, Michigan 49501-1764, U.S.A.  
 Telephone: (616) 458-1306  
 Telefax: (616) 458-1616  
<http://www.monarchhyd.com>

CANADA:  
**FLUID-PACK CORPORATION**  
 A Part of the Monarch Hydraulics Group  
 460 Newbold St., London, Ontario, Canada N6E 1K3  
 Telephone: (519) 686-5900  
 Telefax: (519) 686-8976